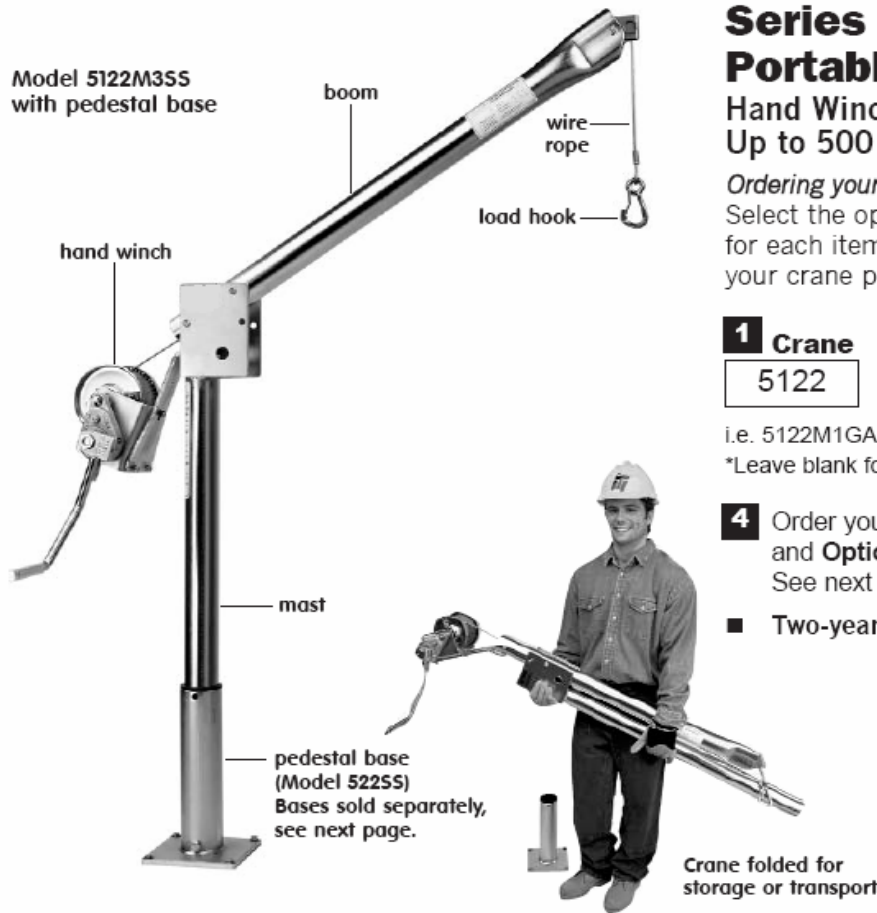




ASHTABULA CRANE & HOIST  
 P.O. Box 391501  
 SOLON, OH 44139  
 WWW.ASHTABULACRANE.COM

(440) 344-7982 – PHONE  
 (440) 298-3513 – FAX  
 SALES@ASHTABULACRANE.COM - EMAIL



## Series 5122 Portable Davit Cranes

Hand Winch Operation  
 Up to 500 lb capacity

Ordering your crane is as easy as 1...2...3...  
 Select the option that best suits your needs for each item. Fill in the boxes below to create your crane part number.

<b>1</b> Crane	<b>2</b> Winch	<b>3</b> Optional Finish*
5122		

i.e. 5122M1GAL

\*Leave blank for standard powder coat finish

**4** Order your **Base, Wire Rope Assembly** and **Optional Accessories** separately. See next page.

- Two-year Limited Warranty

### Crane Model

- **Adjustable Boom** with 2 different positions for operation.
- **Crane Rotates 360°** in a sleeve bearing in the base.
- **Crane folds down** for storage or transport.

#### 1 Base Model 5122 – Section 4

base model	description	approx. ship wt.
5122 <sup>1</sup>	up to 500 lb – portable davit	54 lb

<sup>1</sup> Base Model includes corrosion resistant electrostatic powder coated finish. Other finishes available see Option 3.

### Winch Models

- **Hand Winch Operation** with spur gear hand winch equipped with automatic disc brake for load control.
- **Quick Disconnect Anchor** for quickly attaching or removing wire rope equipped with a swaged ball fitting.

#### 2 Winch Options – Section 4

winch	description	approx. ship wt.
M1	M4022PB-K – zinc plated spur gear hand winch	17
M3	M4042PBSS-K – stainless steel spur gear hand winch	24

### Optional Finishes

- **Galvanized Finish** provides extra protection against corrosion.
- **Stainless Steel Models** are constructed from all stainless steel with an electro-polished finish for superior corrosion resistance.

#### 3 Optional Finish (crane only) – Section 4

finish	description
GAL	galvanized finish – crane only
SS	stainless steel construction – crane only



ASHTABULA CRANE & HOIST  
 3425 SOUTH MAIN STREET  
 ROCK CREEK, OH 44084  
 WWW.ASHTABULACRANE.COM

(440) 563-3801 – PHONE  
 (440) 563-3805 – FAX  
 SALES@ASHTABULACRANE.COM - EMAIL

#### 4 Series 5122 Bases, Wire Rope Assemblies and Accessories

##### INDEPENDENT BASES – sold separately

- Pedestal, Socket, or Wall mount style.
- Wheel Base for floor crane operation. Base includes steel front wheels and rear caster wheels for 360° maneuverability. See Model 514.
- Important: Base installation is purchaser's responsibility.

Contact factory for installation guidelines.

##### Independent Bases – Section 4

base	description	approx. ship wt.
522	pedestal/socket base – powder coat finish (upright or flush mount)	18 lb
522GAL	pedestal/socket base – galvanized finish (upright or flush mount)	18 lb
522SS	pedestal/socket base – stainless steel (upright or flush mount)	18 lb
522W	wall mount base – powder coat finish	21 lb
522WGAL	wall mount base – galvanized finish	21 lb
522SSW	wall mount base – stainless steel	21 lb
514	wheel base – enamel finish	80 lb

##### WIRE ROPE ASSEMBLIES – sold separately

- Galvanized or Stainless Steel wire rope assemblies with swaged ball fitting to work with the quick disconnect anchor on the winch.

##### Wire Rope Assemblies – Section 9

model number	wire rope diameter and length	approx. ship weight
galvanized aircraft cable with swivel hook and swaged ball fitting		
WA19-20NS	3/16 in x 20 ft	3 lb
WA19-28NS	3/16 in x 28 ft	4 lb
WA19-36NS	3/16 in x 36 ft	4 lb
WA19-45NS	3/16 in x 45 ft	5 lb
304 stainless steel wire rope with SS oval hook and swaged ball fitting - swivel hook also available please contact factory		
WS19-20NO	3/16 in x 20 ft	3 lb
WS19-28NO	3/16 in x 28 ft	3 lb
WS19-36NO	3/16 in x 36 ft	3 lb
WS19-45NO	3/16 in x 45 ft	4 lb
WS19-60NO	3/16 in x 60 ft	9 lb
WS19-75NO	3/16 in x 75 ft	11 lb

##### ACCESSORIES – Section 4

**Base Cover** – plastic cover fits in the mast hole in the base to help keep water from collecting inside the base when the crane is removed.



TK2P

**Cable Spool** – stainless steel reel winds up wire rope when detached from crane.

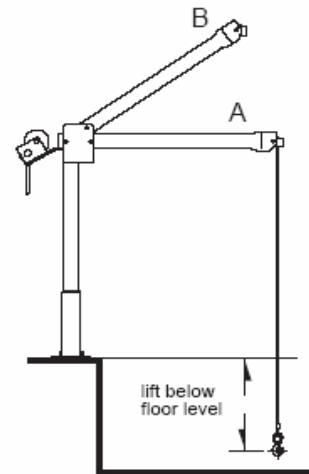


RW50 12 lb

**Wire Rope Keeper** – metal bracket attaches to base or other structure to hold free end of the wire rope when detached from crane.



B1766



##### Series 5122 Performance Characteristics

wire rope dia.	wire rope length	5122 Series with M1 winch		5122 Series with M3 winch		lift below floor level (min – max) <sup>1</sup>
		load rating position A	load rating position B	load rating position A	load rating position B	
3/16 in	20 ft	500 lb	500 lb	500 lb	500 lb	9 – 10 ft
3/16 in	28 ft	500 lb	500 lb	500 lb	500 lb	17 – 18 ft
3/16 in	36 ft	500 lb	500 lb	500 lb	500 lb	25 – 26 ft
3/16 in	45 ft	500 lb	500 lb	500 lb	500 lb	34 – 35 ft
3/16 in	60 ft	–	–	500 lb	500 lb	49 – 50 ft
3/16 in	75 ft	–	–	500 lb	500 lb	64 – 65 ft

<sup>1</sup> Lift below floor level varies depending on boom position and base configuration. For longer lifts, please contact factory.

##### Important:

It is the owner's or operator's responsibility to determine the suitability of the equipment to its intended use. Study all applicable codes, manuals, and regulations. Be sure to read the Owner's Manual supplied with the equipment before operating it.

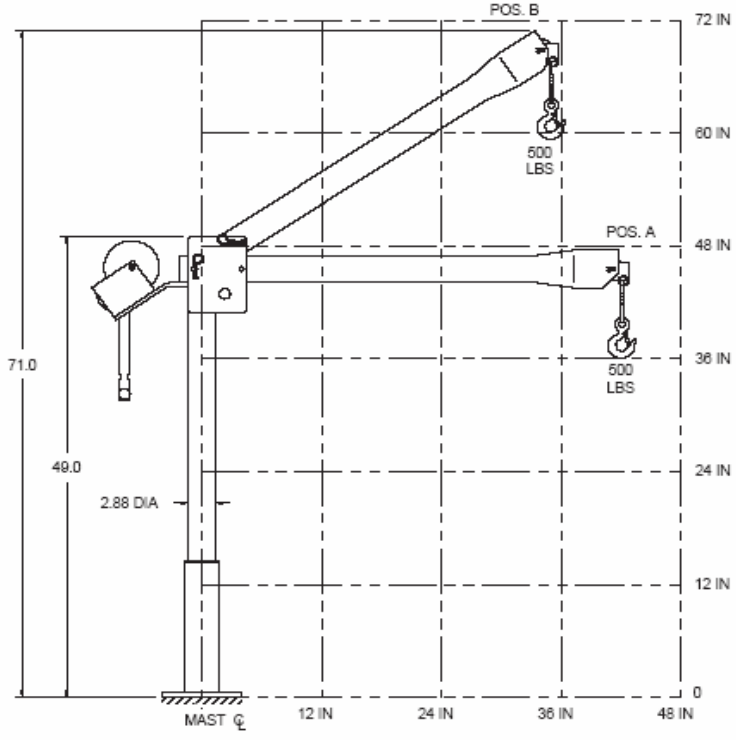
See Dimensions on Next Page



ASHTABULA CRANE & HOIST  
 3425 SOUTH MAIN STREET  
 ROCK CREEK, OH 44084  
 WWW.ASHTABULACRANE.COM

(440) 563-3801 – PHONE  
 (440) 563-3805 – FAX  
 SALES@ASHTABULACRANE.COM - EMAIL

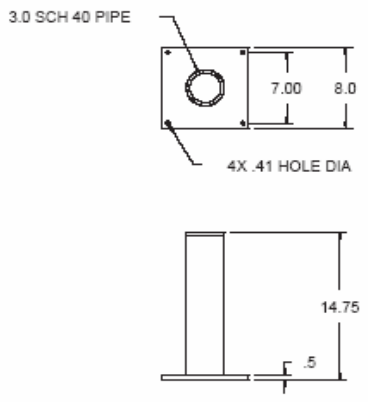
**5122 with pedestal/socket base mounted upright**



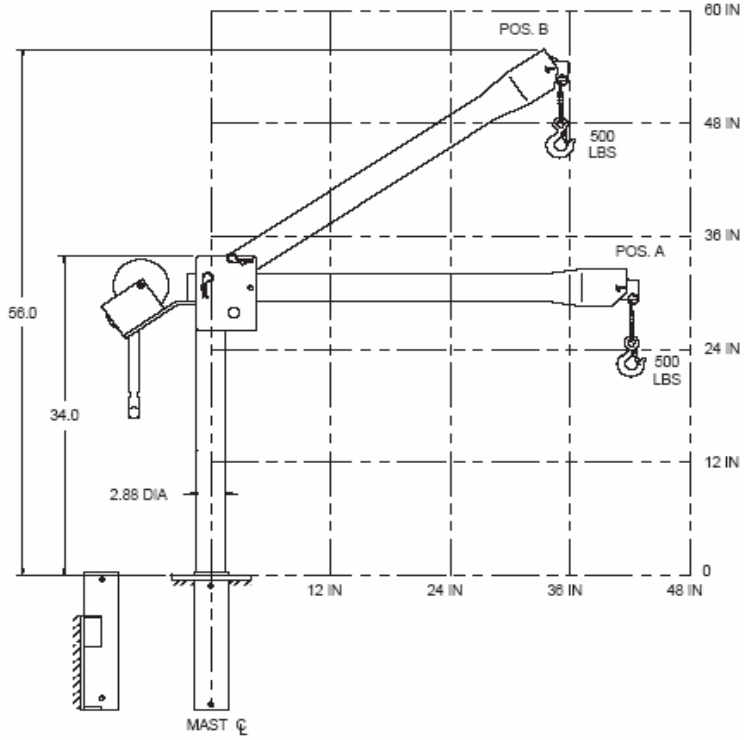
**5122 Upright – Height and Reach**

boom position	hook reach	hook height
A	42 in	37 in
B	35 in	60 in

Dimensions are for reference only and subject to change without notice.



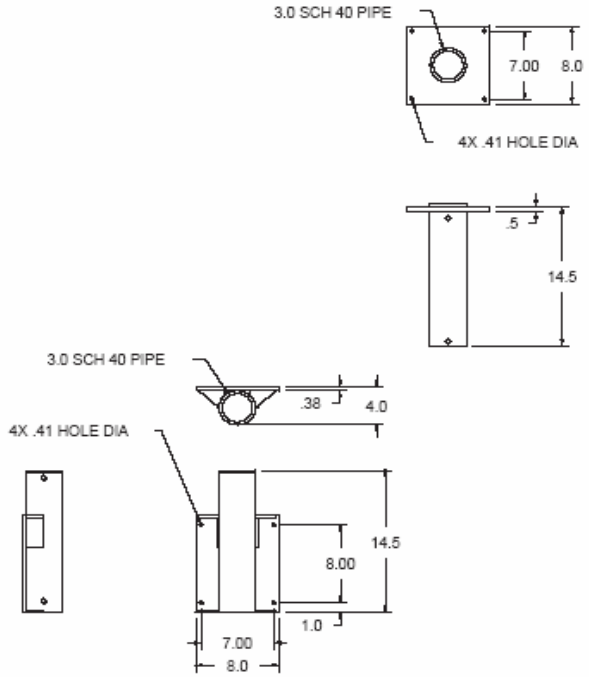
**5122 with wall mount base or pedestal/socket base mounted flush**



**5122 Flush – Height and Reach**

boom position	hook reach	hook height
A	42 in	22 in
B	35 in	45 in

Dimensions are for reference only and subject to change without notice.



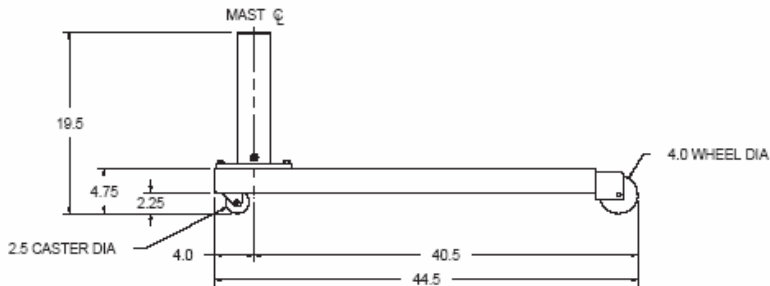
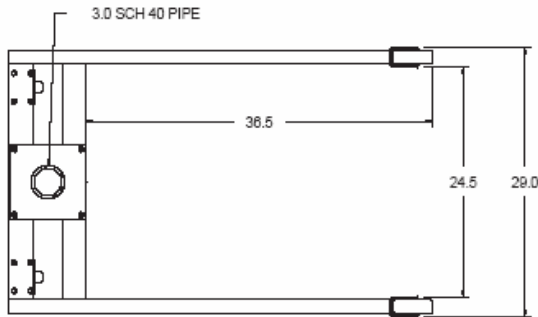
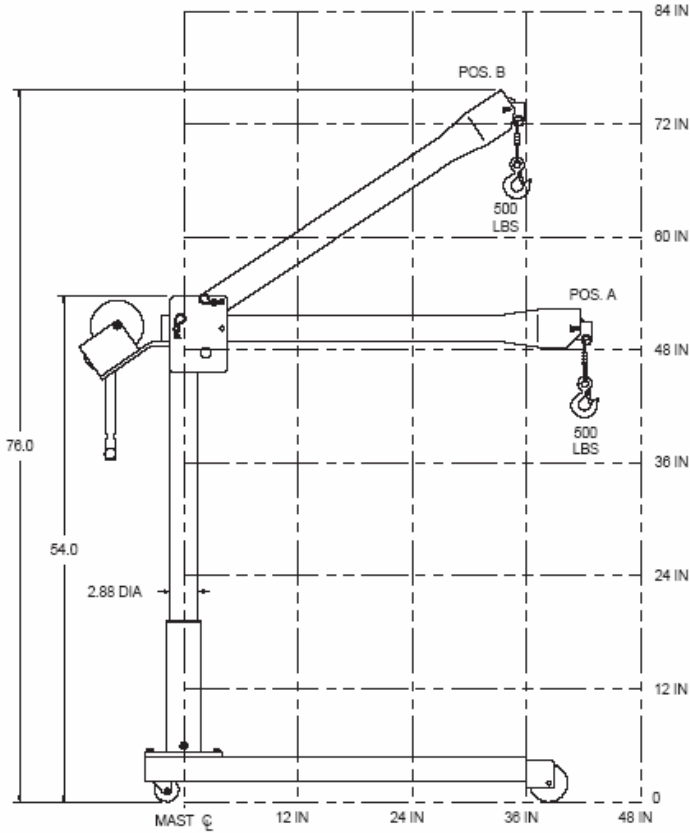
See Additional Dimensions on Next Page



ASHTABULA CRANE & HOIST  
 3425 SOUTH MAIN STREET  
 ROCK CREEK, OH 44084  
 WWW.ASHTABULACRANE.COM

(440) 563-3801 – PHONE  
 (440) 563-3805 – FAX  
 SALES@ASHTABULACRANE.COM - EMAIL

5122 with Model 514 wheel base



5122 with 514 Wheel Base –  
 Height and Reach

boom position	hook reach	hook height
A	42 in	42 in
B	35 in	65 in

Dimensions are for reference only and subject to change without notice.

**Important:**

Crane DOES NOT rotate in base when assembled in 514 wheel base.



Wheel Base sold separately for floor crane operation. See Wheel Base Model 514

**Important:**

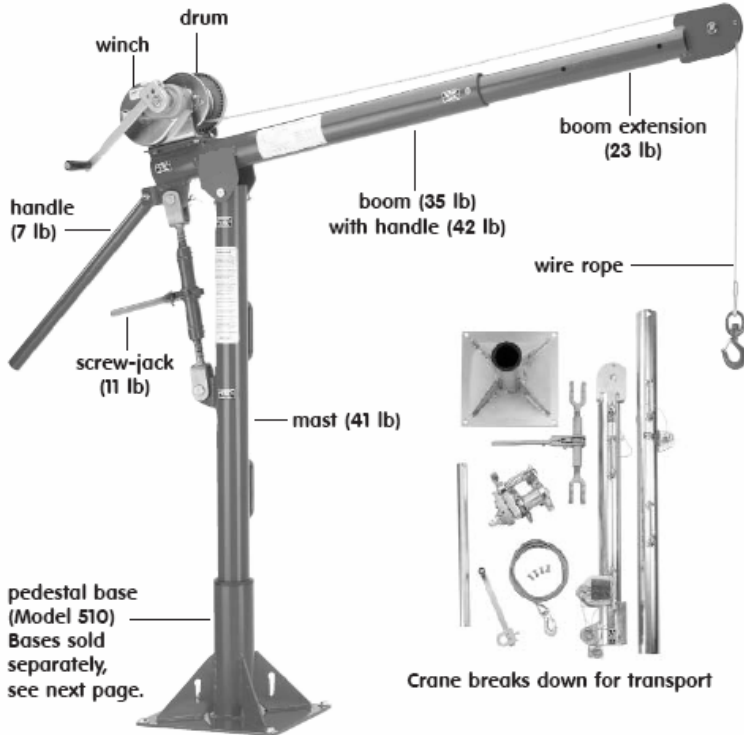
It is the owner's or operator's responsibility to determine the suitability of the equipment to its intended use. Study all applicable codes, manuals, and regulations. Be sure to read the Owner's Manual supplied with the equipment before operating it.



ASHTABULA CRANE & HOIST  
 3425 SOUTH MAIN STREET  
 ROCK CREEK, OH 44084  
 WWW.ASHTABULACRANE.COM

(440) 563-3801 – PHONE  
 (440) 563-3805 – FAX  
 SALES@ASHTABULACRANE.COM - EMAIL

**Model 5110M1 with pedestal base**



**Series 5110  
 Portable Davit  
 Cranes**

Hand or Power Winch Operation  
 Up to 1000 lb capacity

Ordering your crane is  
 as easy as 1...2...3...

Select the option that best suits  
 your needs for each item. Fill in  
 the boxes below to create your  
 crane part number.

<b>1 Crane</b>	<b>2 Winch</b>	<b>3 Optional Finish*</b>
5110		

i.e. 5110M2GAL

\*Leave blank for standard powder coat finish

**4 Order your Base, Wire Rope Assembly and Optional Accessories** separately. See next page.

■ Two-year Limited Warranty

**Crane Model**

- Crane Rotates 360° on a pin and sleeve bearing in the base. Handle on the boom makes rotation easy.
- Adjustable Boom telescopes to 4 different lengths, and adjusts in height while under load with ratchet style screw-jack.
- Crane Breaks Down for storage or transport.

**1 Crane Model 5110 – Section 4**

base model	description	approx. ship wt.
5110 <sup>1</sup>	up to 1000 lb – portable davit	160 lb

<sup>1</sup> Base Model includes corrosion resistant electrostatic powder coated finish. Other finishes available see Option 3.

**Winch Models**

- Hand Winch Operated Models include spur gear or worm gear hand winch with brake for load control. Model M2 winch can be drill driven, 400 rpm max.
- Power Winch Operated Models include electric winch with pendant control and brake. Other power options available, please contact factory.
- Quick Disconnect Anchor for quickly attaching or removing wire rope equipped with a swaged ball fitting.

**2 Winch Options – Section 4**

winch	description	approx. ship wt.
M1	M4312PB-K – zinc plated spur gear hand winch	28 lb
M2 <sup>2</sup>	4WM2-K – worm gear hand winch	42 lb
M3	M4312PBSS-K – stainless steel spur gear hand winch	28 lb
E2 <sup>3</sup>	4WP2-K electric winch – 115/1/60 VAC with 6 ft pendant control	85 lb
E4 <sup>3</sup>	4777-K electric winch – 115/1/60 VAC with 6 ft pendant control	110 lb
E4DC <sup>3</sup>	4777DC-K electric winch – 12 volt DC with 10 ft pendant control	105 lb

<sup>2</sup> Winch finish is powder coated, for epoxy finish contact factory.

<sup>3</sup> Winch finish is enamel, for epoxy finish contact factory.

**Optional Finishes**

- Galvanized Finish provides extra protection against corrosion.
- Stainless Steel Models are constructed from all stainless steel with an electro-polished finish for superior corrosion resistance.

**3 Optional Finish (crane only) – Section 4**

finish	description
GAL	galvanized finish – crane only
SS	stainless steel construction – crane only



ASHTABULA CRANE & HOIST  
 3425 SOUTH MAIN STREET  
 ROCK CREEK, OH 44084  
 WWW.ASHTABULACRANE.COM

(440) 563-3801 – PHONE  
 (440) 563-3805 – FAX  
 SALES@ASHTABULACRANE.COM - EMAIL

**4 Series 5110 Bases, Wire Rope Assemblies and Accessories**

**INDEPENDENT BASES – sold separately**

- Pedestal, Socket, or Wall mount style.
- Wheel Base for floor crane operation. Base legs adjust in length and width. See Model 510R.
- **Important:** Base installation is purchaser's responsibility.

Contact factory for installation guidelines.

**Independent Bases – Section 4**

base	description	approx. ship wt.
510	pedestal base – powder coat finish (upright mount)	52 lb
510GAL	pedestal base – galvanized finish (upright mount)	52 lb
510SS	pedestal base – stainless steel (upright mount)	52 lb
510F	socket base – powder coat finish (flush mount)	45 lb
510FGAL	socket base – galvanized finish (flush mount)	45 lb
510SSF	socket base – stainless steel (flush mount)	45 lb
510W	wall mount base – powder coat finish	52 lb
510WGAL	wall mount base – galvanized finish	52 lb
510SSW	wall mount base – stainless steel	52 lb
510R	wheel base – enamel finish	313 lb

**WIRE ROPE ASSEMBLIES – sold separately**

- Galvanized or Stainless Steel wire rope assemblies with swaged ball fitting to work with the quick disconnect anchor on the winch.

**Wire Rope Assemblies – Section 9**

model number	wire rope diameter and length	approx. ship weight
galvanized aircraft cable with swivel hook and swaged ball fitting		
WA25-20NS	1/4 in x 20 ft	4 lb
WA25-28NS	1/4 in x 28 ft	5 lb
WA25-36NS	1/4 in x 36 ft	6 lb
WA25-45NS	1/4 in x 45 ft	7 lb
WA25-60NS	1/4 in x 60 ft	9 lb
WA25-75NS	1/4 in x 75 ft	10 lb

304 stainless steel wire rope with SS eye hook and swaged ball fitting - swivel hook also available please contact factory

WS25-20NE	1/4 in x 20 ft	5 lb
WS25-28NE	1/4 in x 28 ft	5 lb
WS25-36NE	1/4 in x 36 ft	6 lb
WS25-45NE	1/4 in x 45 ft	7 lb
WS25-60NE	1/4 in x 60 ft	8 lb
WS25-75NE	1/4 in x 75 ft	10 lb

**ACCESSORIES – Section 4**

**Base Cover** – plastic cover fits in the mast hole in the base to help keep water from collecting inside the base when the crane is removed.



TK3P

**Drill-Motor Drive** – 7 amp, 400 rpm drill-motor to power drive the hand winch. Only available for cranes configured with the M2 winch option. 120 VAC drill-motor includes 1-1/8" hex socket drive.



ED120BD 12 lb

**Cable Spool** – stainless steel reel winds up wire rope when detached from crane.

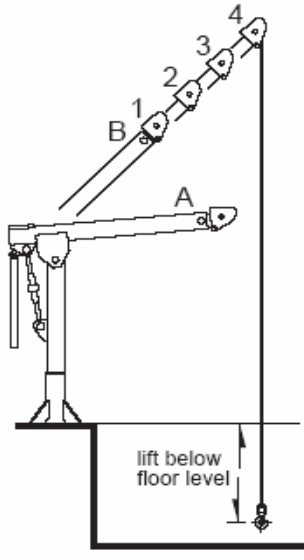


RW50 12 lb

**Wire Rope Keeper** – metal bracket attaches to base or other structure to hold free end of the wire rope when detached from crane.



B1766



**Important:**

It is the owner's or operator's responsibility to determine the suitability of the equipment to its intended use. Study all applicable codes, manuals, and regulations. Be sure to read the Owner's Manual supplied with the equipment before operating it.

**Series 5110 Performance Characteristics**

wire rope dia.	wire rope length	load rating for 5110M1 and M3				load rating for 5110M2, E2, E4, and E4DC				lift below floor level (min – max) <sup>1</sup>
		position 1	position 2	position 3	position 4	position 1	position 2	position 3	position 4	
1/4 in	20 ft	1000 lb	700 lb	600 lb	500 lb	1000 lb	700 lb	600 lb	500 lb	1 – 5 ft
1/4 in	28 ft	1000 lb	700 lb	600 lb	500 lb	1000 lb	700 lb	600 lb	500 lb	9 – 13 ft
1/4 in	36 ft	1000 lb	700 lb	600 lb	500 lb	1000 lb	700 lb	600 lb	500 lb	17 – 21 ft
1/4 in	45 ft	1000 lb	700 lb	600 lb	500 lb	1000 lb	700 lb	600 lb	500 lb	26 – 30 ft
1/4 in	60 ft	1000 lb	700 lb	600 lb	500 lb	1000 lb	700 lb	600 lb	500 lb	41 – 45 ft
1/4 in	75 ft	–	–	–	–	1000 lb	700 lb	600 lb	500 lb	56 – 60 ft

<sup>1</sup> Lift below floor level varies depending on boom position and base configuration. For longer lifts, please contact factory.

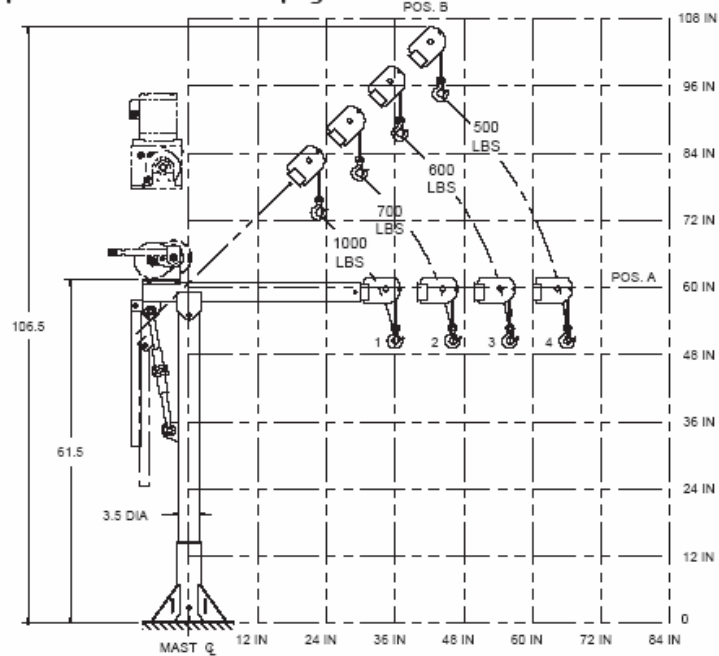
**See Dimensions on Next Page**



ASHTABULA CRANE & HOIST  
 3425 SOUTH MAIN STREET  
 ROCK CREEK, OH 44084  
 WWW.ASHTABULACRANE.COM

(440) 563-3801 – PHONE  
 (440) 563-3805 – FAX  
 SALES@ASHTABULACRANE.COM - EMAIL

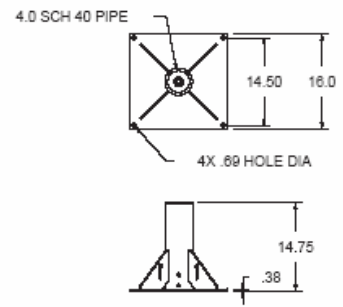
**5110 with pedestal base mounted upright**



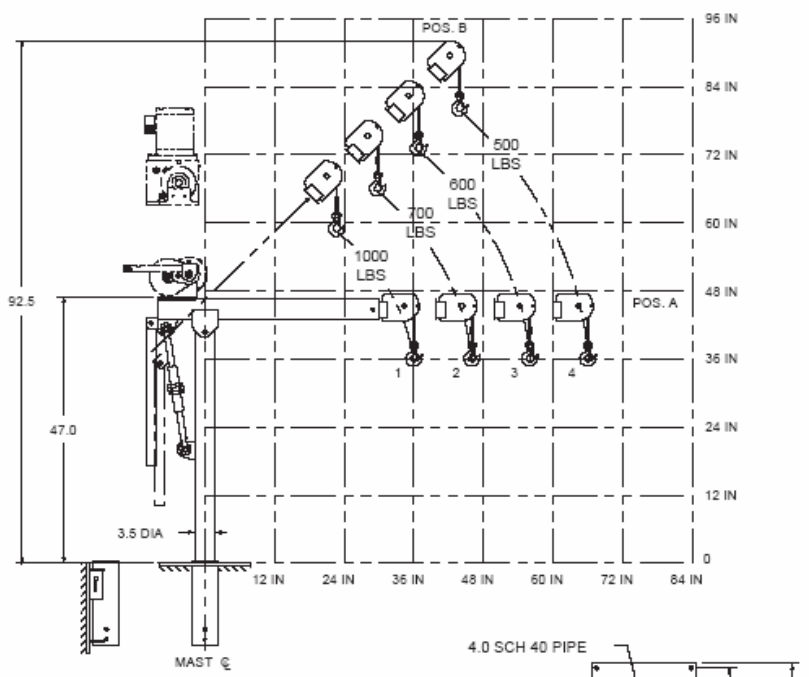
**5110 Upright – Height and Reach**

boom position	hook reach	hook height
A-1	36 in	50 in
A-2	46 in	50 in
A-3	56 in	50 in
A-4	66 in	50 in
B-1	23 in	73 in
B-2	30 in	80 in
B-3	37 in	87 in
B-4	44 in	94 in

Dimensions are for reference only and subject to change without notice.



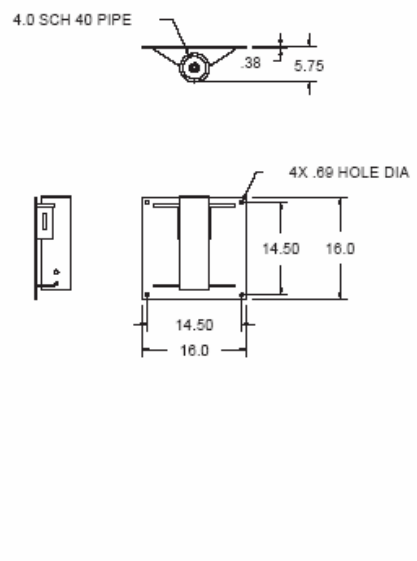
**5110 with wall mount base or socket base mounted flush**



**5110 Flush – Height and Reach**

boom position	hook reach	hook height
A-1	36 in	36 in
A-2	46 in	36 in
A-3	56 in	36 in
A-4	66 in	36 in
B-1	23 in	59 in
B-2	30 in	66 in
B-3	37 in	73 in
B-4	44 in	80 in

Dimensions are for reference only and subject to change without notice.



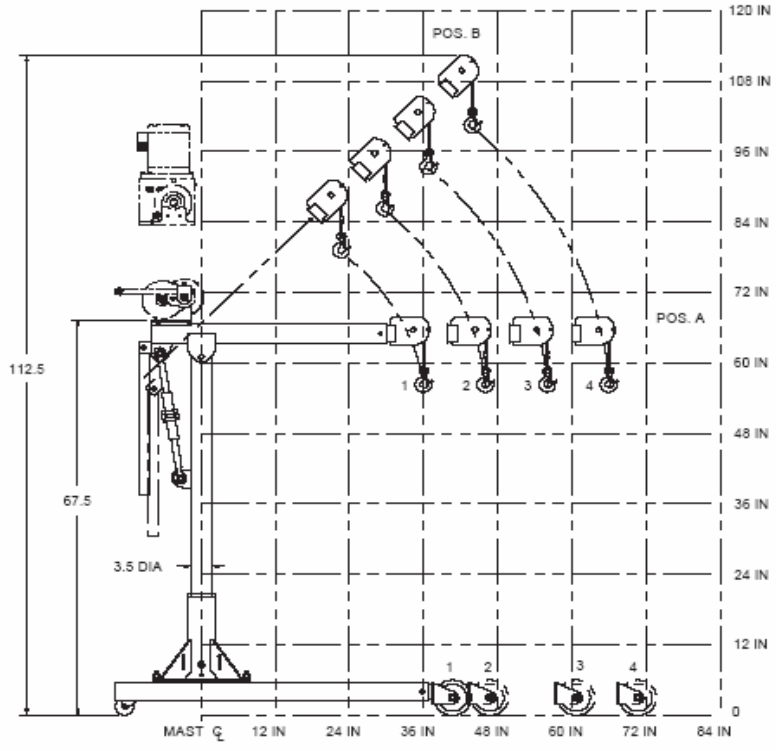
See Additional Dimensions on Next Page



ASHTABULA CRANE & HOIST  
 3425 SOUTH MAIN STREET  
 ROCK CREEK, OH 44084  
 WWW.ASHTABULACRANE.COM

(440) 563-3801 – PHONE  
 (440) 563-3805 – FAX  
 SALES@ASHTABULACRANE.COM - EMAIL

**5110 with Model 510R wheel base**



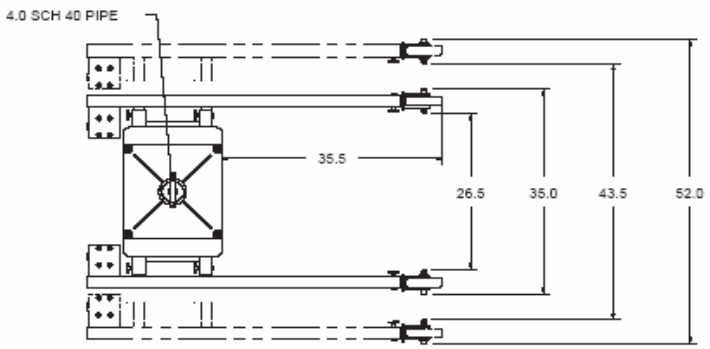
**5110 with 510R Wheel Base – Height and Reach**

boom position	hook reach	hook height
A-1	36 in	56 in
A-2	46 in	56 in
A-3	56 in	56 in
A-4	66 in	56 in
B-1	23 in	79 in
B-2	30 in	86 in
B-3	37 in	93 in
B-4	44 in	100 in

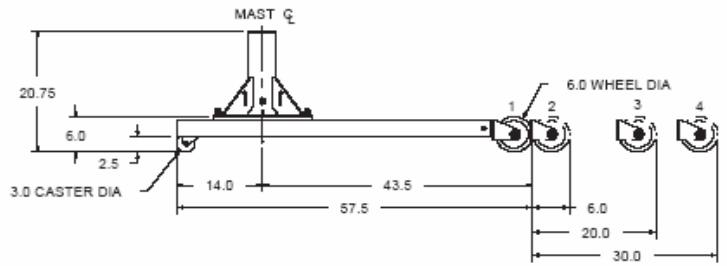
Dimensions are for reference only and subject to change without notice.

**Important:**

Crane DOES NOT rotate in base when assembled in 510R wheel base.



Wheel Base sold separately for floor crane operation. See Wheel Base Model 510R



**Load Ratings for 5110 with 510R Wheel Base**

Crane Load Ratings	Leg Position 1	Leg Position 2	Leg Position 3	Leg Position 4
Boom Position 1	1000 lb	1000 lb	1000 lb	1000 lb
Boom Position 2	700 lb	700 lb	700 lb	700 lb
Boom Position 3	do not use	600 lb	600 lb	600 lb
Boom Position 4	do not use	500 lb	500 lb	500 lb

**Important:**

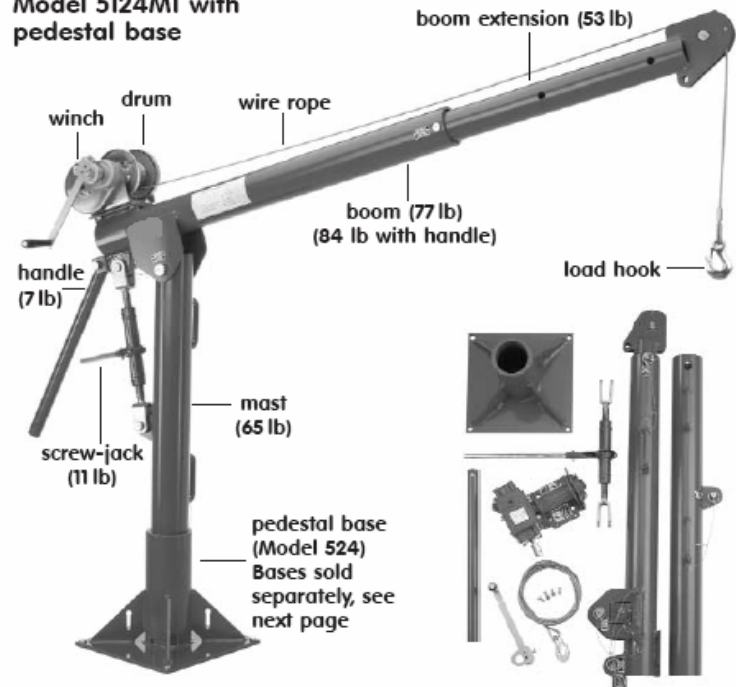
It is the owner's or operator's responsibility to determine the suitability of the equipment to its intended use. Study all applicable codes, manuals, and regulations. Be sure to read the Owner's Manual supplied with the equipment before operating it.



ASHTABULA CRANE & HOIST  
 3425 SOUTH MAIN STREET  
 ROCK CREEK, OH 44084  
 WWW.ASHTABULACRANE.COM

(440) 563-3801 – PHONE  
 (440) 563-3805 – FAX  
 SALES@ASHTABULACRANE.COM - EMAIL

Model 5124M1 with pedestal base



Crane breaks down for transport

## Series 5124 Portable Davit Cranes

Hand or Power Winch Operation  
 Up to 2000 lb capacity

Ordering your crane is as easy as 1...2...3...  
 Select the option that best suits your needs for each item. Fill in the boxes below to create your crane part number.

<b>1 Crane</b>	<b>2 Winch</b>	<b>3 Optional Finish*</b>
5124		

i.e. 5124M2GAL

\*Leave blank for standard powder coat finish

**4** Order your **Base, Wire Rope Assembly** and **Optional Accessories** separately. See next page.

■ Two-year Limited Warranty

### Crane Model

- **Crane Rotates 360°** on a pin and sleeve bearing in the base. Handle on the boom makes rotation easy.
- **Adjustable Boom** telescopes to 4 different lengths, and adjusts in height while under load with ratchet style screw-jack.
- **Crane Breaks Down** for storage or transport.

### 1 Crane Model 5124 – Section 4

base model	description	approx. ship wt.
5124 <sup>1</sup>	up to 2000 lb – portable davit	253 lb

<sup>1</sup> Base Model includes corrosion resistant electrostatic powder coated finish. Other finishes available see Option 3.

### Winch Models

- **Hand Winch Operated Models** include spur gear or worm gear hand winch with brake for load control. Model M2 winch can be drill driven, 400 rpm max.
- **Power Winch Operated Models** include electric winch with pendant control and brake. Other power options available, please contact factory.
- **Quick Disconnect Anchor** for quickly attaching or removing wire rope equipped with a swaged ball fitting.

### 2 Winch Options – Section 4

winch	description	approx. ship wt.
M1	M4312PB-K – zinc plated spur gear hand winch	28 lb
M2 <sup>2</sup>	4WM2-K – worm gear hand winch	42 lb
M3	M4312PBSS-K – stainless steel spur gear hand winch	28 lb
E2 <sup>3</sup>	4WP2-K electric winch – 115/1/60 VAC with 6 ft pendant control	85 lb
E4 <sup>3</sup>	4777-K electric winch – 115/1/60 VAC with 6 ft pendant control	110 lb
E4DC <sup>3</sup>	4777DC-K electric winch – 12 volt DC with 10 ft pendant control	105 lb

<sup>2</sup> Winch finish is powder coated, for epoxy finish contact factory.  
<sup>3</sup> Winch finish is enamel, for epoxy finish contact factory.

### Optional Finishes

- **Galvanized Finish** provides extra protection against corrosion.
- **Stainless Steel Models** are constructed from all stainless steel with an electro-polished finish for superior corrosion resistance.

### 3 Optional Finish (crane only) – Section 4

finish	description
GAL	galvanized finish – crane only
SS	stainless steel construction – crane only



ASHTABULA CRANE & HOIST  
 3425 SOUTH MAIN STREET  
 ROCK CREEK, OH 44084  
 WWW.ASHTABULACRANE.COM

(440) 563-3801 – PHONE  
 (440) 563-3805 – FAX  
 SALES@ASHTABULACRANE.COM - EMAIL

**4 Series 5124 Bases, Wire Rope Assemblies and Accessories**

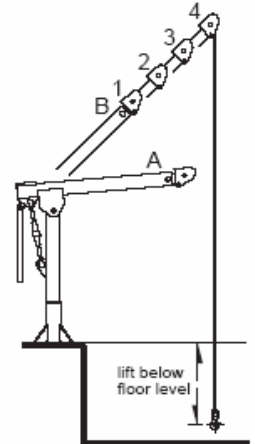
**INDEPENDENT BASES – sold separately**

- Pedestal, Socket, or Wall mount style.
- Wheel Base for floor crane operation. Base legs adjust in length and width. See Model 524R.
- Important: Base installation is purchaser's responsibility.

Contact factory for installation guidelines.

**Independent Bases – Section 4**

base	description	approx. ship wt.
524	pedestal base – powder coat finish (upright mount)	69 lb
524GAL	pedestal base – galvanized finish (upright mount)	69 lb
524SS	pedestal base – stainless steel (upright mount)	69 lb
524F	socket base – powder coat finish (flush mount)	58 lb
524FGAL	socket base – galvanized finish (flush mount)	58 lb
524SSF	socket base – stainless steel (flush mount)	58 lb
524W	wall mount base – powder coat finish	85 lb
524WGAL	wall mount base – galvanized finish	85 lb
524SSW	wall mount base – stainless steel	85 lb
524R	wheel base – enamel finish	445 lb



**Important:**  
 It is the owner's or operator's responsibility to determine the suitability of the equipment to its intended use. Study all applicable codes, manuals, and regulations. Be sure to read the Owner's Manual supplied with the equipment before operating it.

**WIRE ROPE ASSEMBLIES – sold separately**

- Galvanized or Stainless Steel wire rope assemblies with swaged ball fitting to work with the quick disconnect anchor on the winch.

**Wire Rope Assemblies – Section 9**

model number	wire rope diameter and length	approx. ship weight
galvanized aircraft cable with swivel hook and swaged ball fitting		
WA25-20NS	1/4 in x 20 ft	4 lb
WA25-28NS	1/4 in x 28 ft	5 lb
WA25-36NS	1/4 in x 36 ft	6 lb
WA25-45NS	1/4 in x 45 ft	7 lb
WA25-60NS	1/4 in x 60 ft	9 lb
WA25-75NS	1/4 in x 75 ft	10 lb
304 stainless steel wire rope with SS eye hook and swaged ball fitting - swivel hook also available please contact factory		
WS25-20NE	1/4 in x 20 ft	4 lb
WS25-28NE	1/4 in x 28 ft	5 lb
WS25-36NE	1/4 in x 36 ft	6 lb
WS25-45NE	1/4 in x 45 ft	7 lb
WS25-60NE	1/4 in x 60 ft	8 lb
WS25-75NE	1/4 in x 75 ft	10 lb

**ACCESSORIES – Section 4**

**Base Cover** – plastic cover fits in the mast hole in the base to help keep water from collecting inside the base when the crane is removed.



TK4P

**Drill-Motor Drive** – 7 amp, 400 rpm drill-motor to power drive the hand winch. Only available for cranes configured with the M2 winch option. 120 VAC drill-motor includes 1-1/8" hex socket drive.



ED120BD 12 lb

**Cable Spool** – stainless steel reel winds up wire rope when detached from crane.



RW50 12 lb

**Wire Rope Keeper** – metal bracket attaches to base or other structure to hold free end of the wire rope when detached from crane.



B1766

**Series 5124 Performance Characteristics**

wire rope dia.	wire rope length	load rating for 5124M1 and M3				load rating for 5124M2, E2, E4 and E4DC				lift below floor level (min – max) <sup>1</sup>
		position 1	position 2	position 3	position 4	position 1	position 2	position 3	position 4	
1/4 in	20 ft	2000 lb	1600 lb	1300 lb	1000 lb	2000 lb	1600 lb	1300 lb	1000 lb	0 – 4 ft
1/4 in	28 ft	1800 lb	1600 lb	1300 lb	1000 lb	1700 lb	1600 lb	1300 lb	1000 lb	8 – 12 ft
1/4 in	36 ft	1600 lb	1600 lb	1300 lb	1000 lb	1600 lb	1600 lb	1300 lb	1000 lb	16 – 20 ft
1/4 in	45 ft	1600 lb	1600 lb	1300 lb	1000 lb	1500 lb	1500 lb	1300 lb	1000 lb	25 – 29 ft
1/4 in	60 ft	1300 lb	1300 lb	1300 lb	1000 lb	1300 lb	1300 lb	1300 lb	1000 lb	40 – 44 ft
1/4 in	75 ft	–	–	–	–	1200 lb	1200 lb	1200 lb	1000 lb	55 – 59 ft
5/16 in	20 ft	2000 lb	1600 lb	1300 lb	1000 lb	2000 lb	1600 lb	1300 lb	1000 lb	0 – 4 ft
5/16 in	28 ft	1700 lb	1600 lb	1300 lb	1000 lb	1600 lb	1600 lb	1300 lb	1000 lb	8 – 12 ft
5/16 in	36 ft	1500 lb	1500 lb	1300 lb	1000 lb	1400 lb	1400 lb	1300 lb	1000 lb	16 – 20 ft
5/16 in	45 ft	1400 lb	1400 lb	1300 lb	1000 lb	1400 lb	1400 lb	1300 lb	1000 lb	25 – 29 ft

<sup>1</sup> Lift below floor level varies depending on boom position and base configuration. For longer lifts please contact factory.

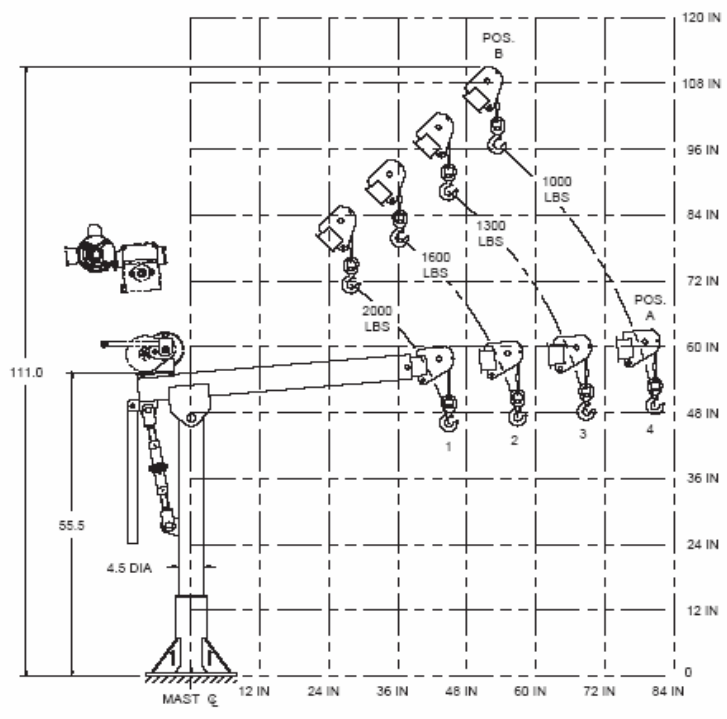
See Dimensions on Next Page



ASHTABULA CRANE & HOIST  
 3425 SOUTH MAIN STREET  
 ROCK CREEK, OH 44084  
 WWW.ASHTABULACRANE.COM

(440) 563-3801 – PHONE  
 (440) 563-3805 – FAX  
 SALES@ASHTABULACRANE.COM - EMAIL

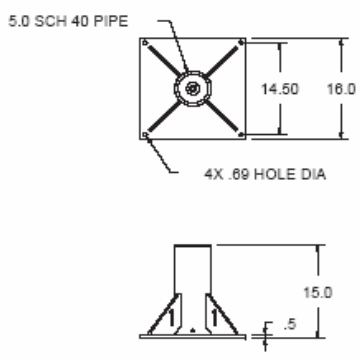
**5124 with pedestal base mounted upright**



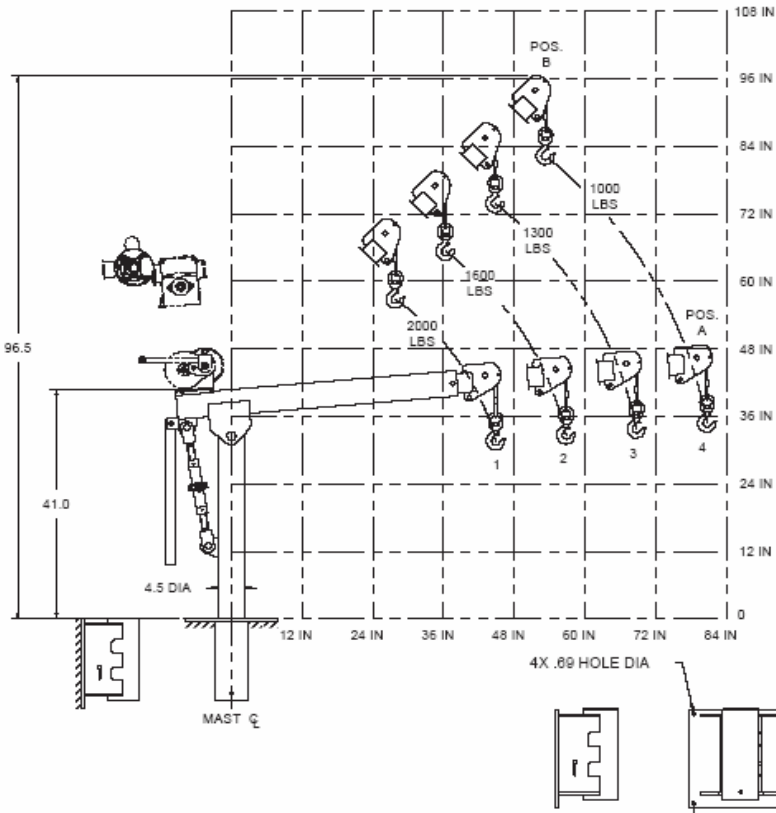
**5124 Upright – Height and Reach**

boom position	hook reach	hook height
A-1	45 in	46 in
A-2	57 in	47 in
A-3	69 in	48 in
A-4	81 in	49 in
B-1	28 in	71 in
B-2	36 in	80 in
B-3	45 in	88 in
B-4	53 in	97 in

Dimensions are for reference only and subject to change without notice.



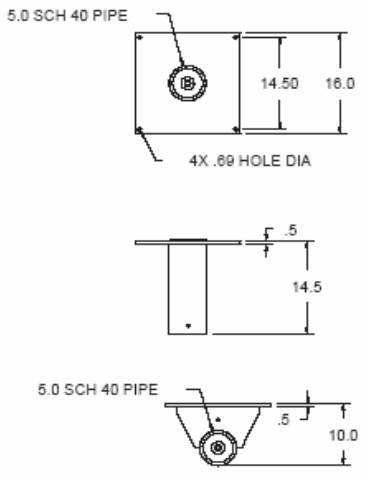
**5124 with wall mount base or socket base mounted flush**



**5124 Flush – Height and Reach**

boom position	hook reach	hook height
A-1	45 in	32 in
A-2	57 in	33 in
A-3	69 in	34 in
A-4	81 in	35 in
B-1	28 in	57 in
B-2	36 in	66 in
B-3	45 in	74 in
B-4	53 in	83 in

Dimensions are for reference only and subject to change without notice.



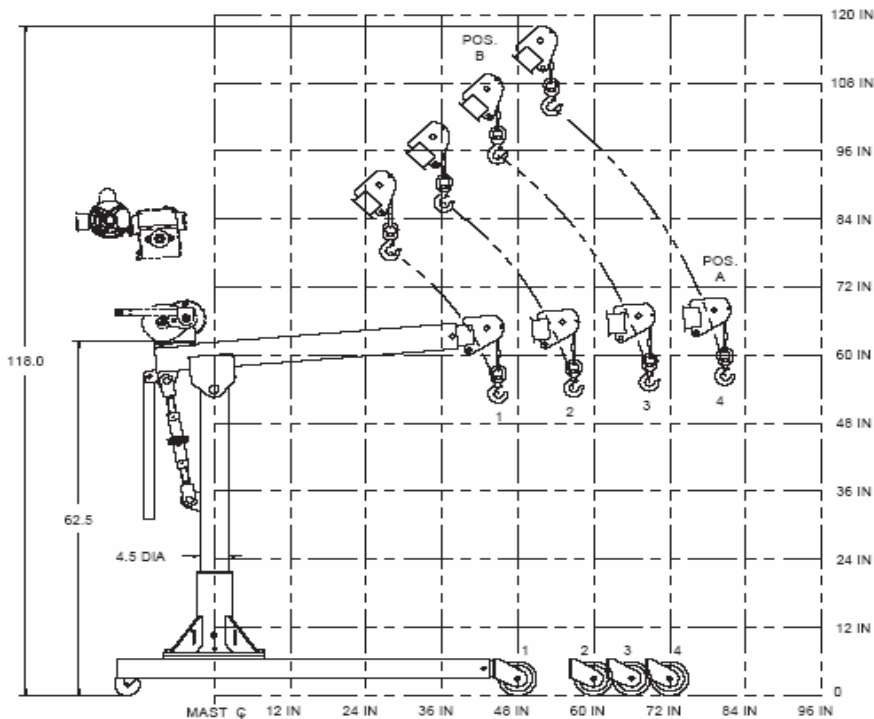
See Additional Dimensions on Next Page



ASHTABULA CRANE & HOIST  
 3425 SOUTH MAIN STREET  
 ROCK CREEK, OH 44084  
 WWW.ASHTABULACRANE.COM

(440) 563-3801 – PHONE  
 (440) 563-3805 – FAX  
 SALES@ASHTABULACRANE.COM - EMAIL

5124 with Model 524R wheel base



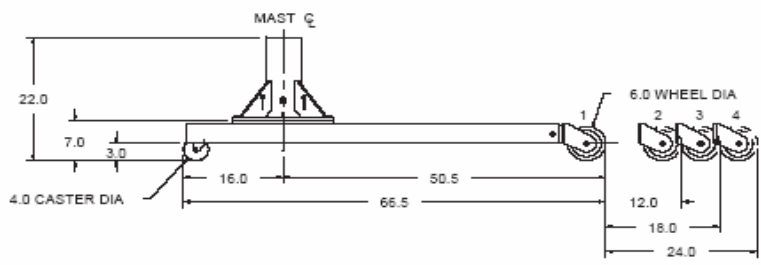
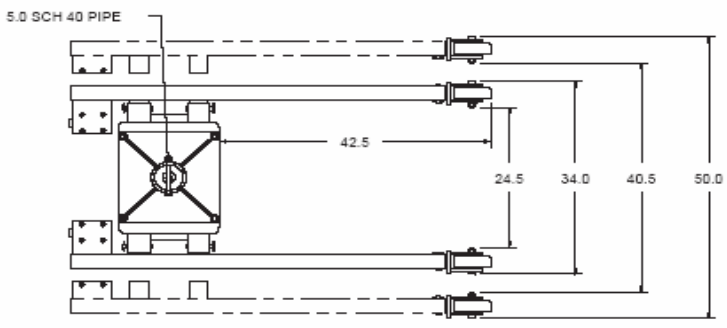
5124 with 524R Wheel Base – Height and Reach

boom position	hook reach	hook height
A-1	45 in	53 in
A-2	57 in	54 in
A-3	69 in	55 in
A-4	81 in	56 in
B-1	28 in	78 in
B-2	36 in	87 in
B-3	45 in	95 in
B-4	53 in	104 in

Dimensions are for reference only and subject to change without notice.

**Important:**

Crane DOES NOT rotate in base when assembled in 524R wheel base.



Wheel Base sold separately for floor crane operation. See Wheel Base Model 524R

**Load Ratings for 5124 with 524R Wheel Base**

Crane Load Ratings	Leg Position 1	Leg Position 2	Leg Position 3	Leg Position 4
Boom Position 1	2000 lb	2000 lb	2000 lb	2000 lb
Boom Position 2	do not use	1600 lb	1600 lb	1600 lb
Boom Position 3	do not use	1300 lb	1300 lb	1300 lb
Boom Position 4	do not use	do not use	1000 lb	1000 lb

**Important:**  
 It is the owner's or operator's responsibility to determine the suitability of the equipment to its intended use. Study all applicable codes, manuals, and regulations. Be sure to read the Owner's Manual supplied with the equipment before operating it.